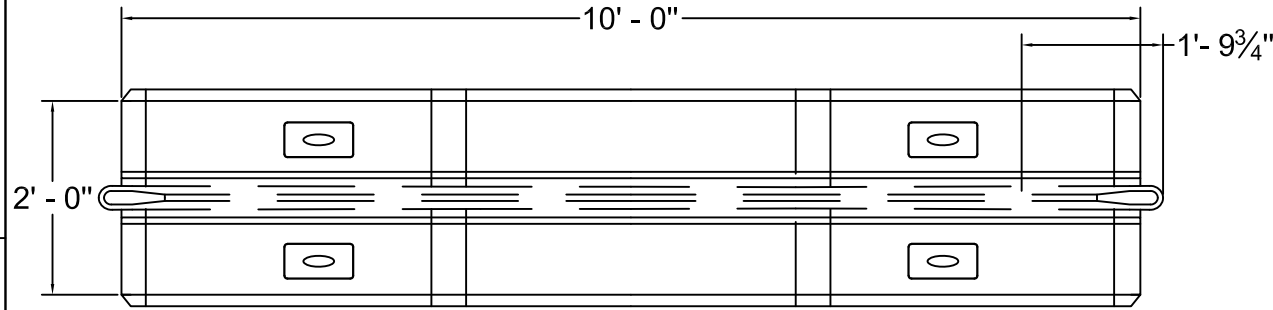




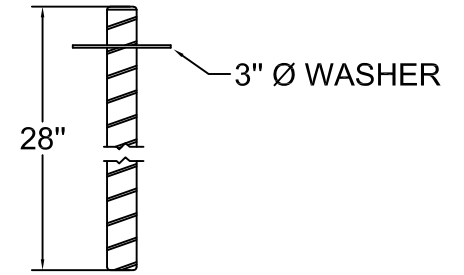
EAGLE PRECAST
A Division of Curtin Co

10' PORTABLE CONCRETE BARRIER
NON STANDARD
ANCHORED

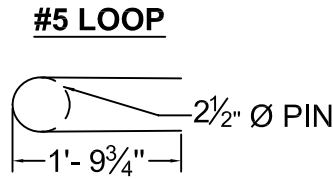
NC,
10/25/2021
REV. 0



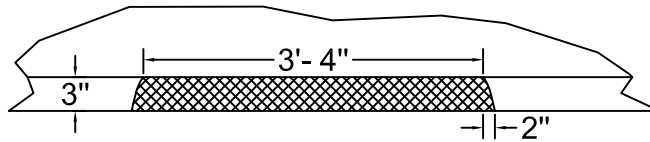
PLAN



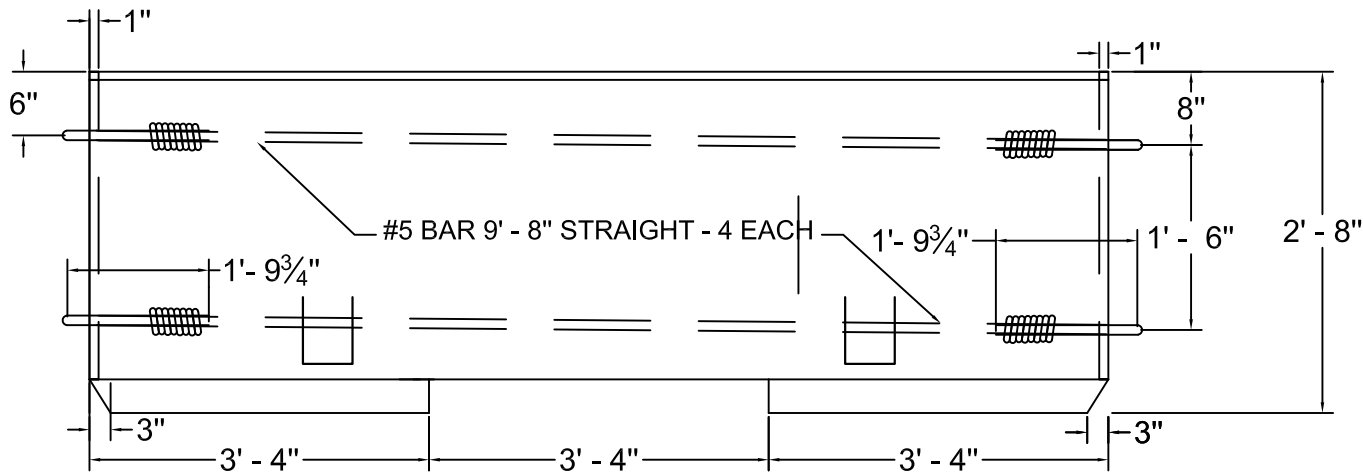
**#8 REINFORCING
STEEL BAR
CONNECTOR PIN**



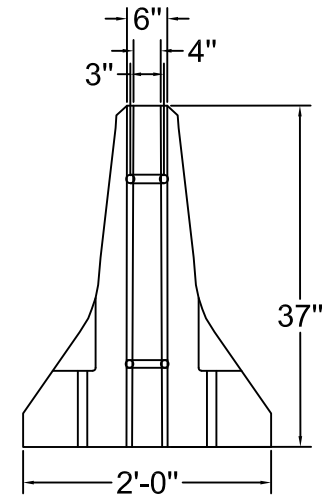
#5 LOOP



PART ELEVATION OF LIFT OPENING



ELEVATION



END ELEVATION