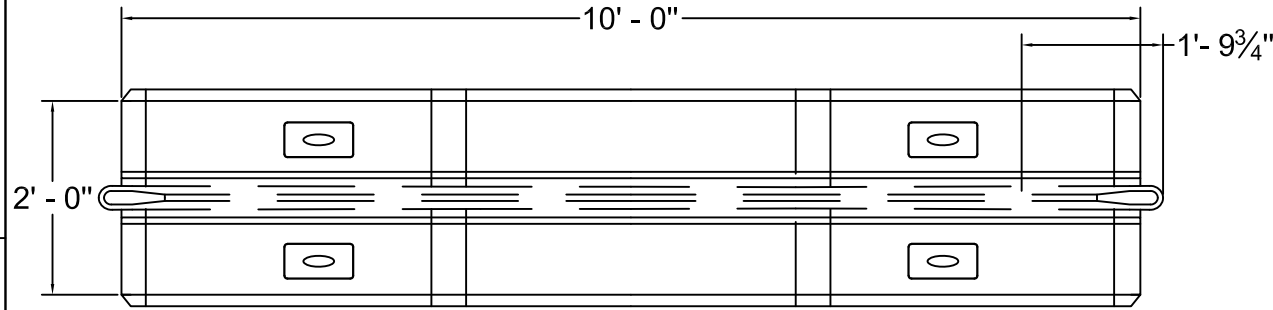




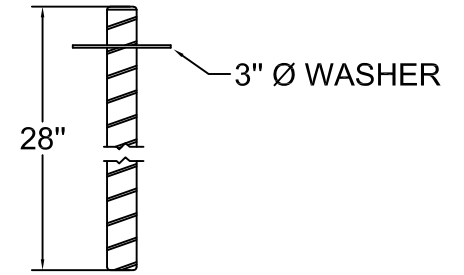
EAGLE PRECAST
A Division of Curtin Co

10' PORTABLE CONCRETE BARRIER
NON STANDARD
ANCHORED

NC,
10/25/2021
REV. 0

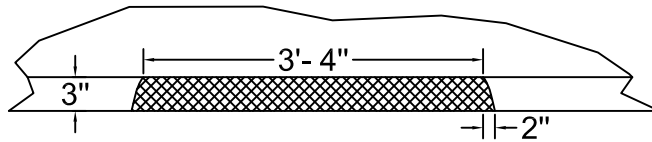
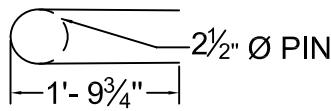


PLAN

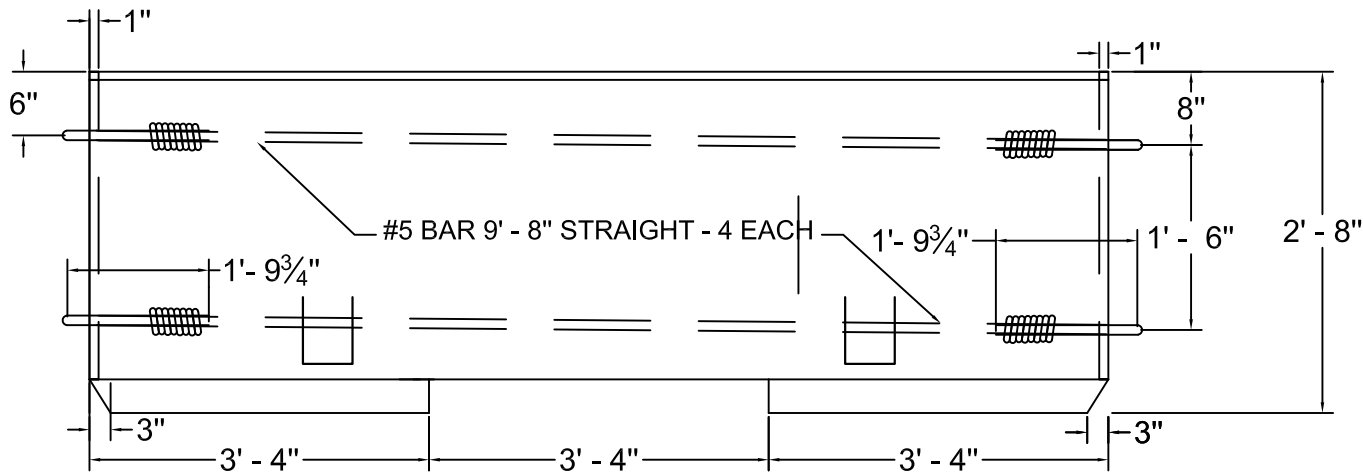


#8 REINFORCING STEEL BAR CONNECTOR PIN

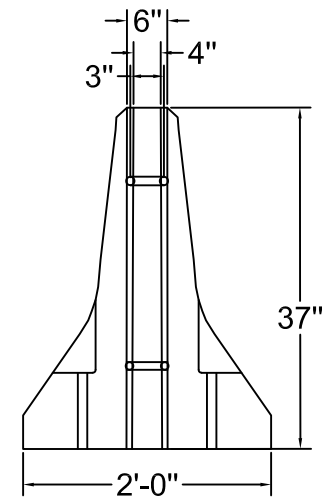
#5 LOOP



PART ELEVATION OF LIFT OPENING



ELEVATION



END ELEVATION