

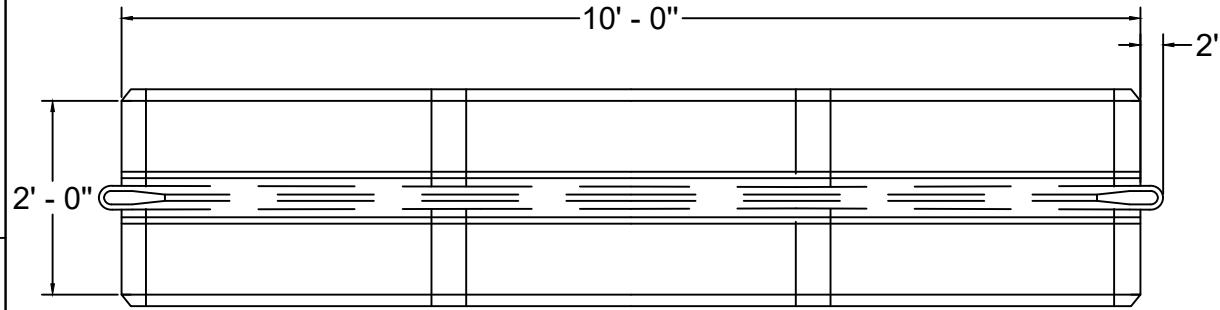


**EAGLE PRECAST**  
A Division of Curtin Co

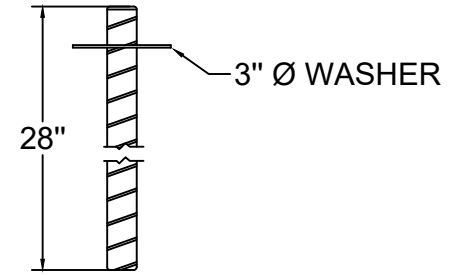
**10' PORTABLE CONCRETE BARRIER**  
NON STANDARD

NC,  
4/28/2021  
REV. 0

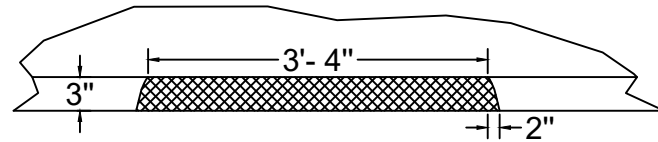
SHEET 1 OF 1



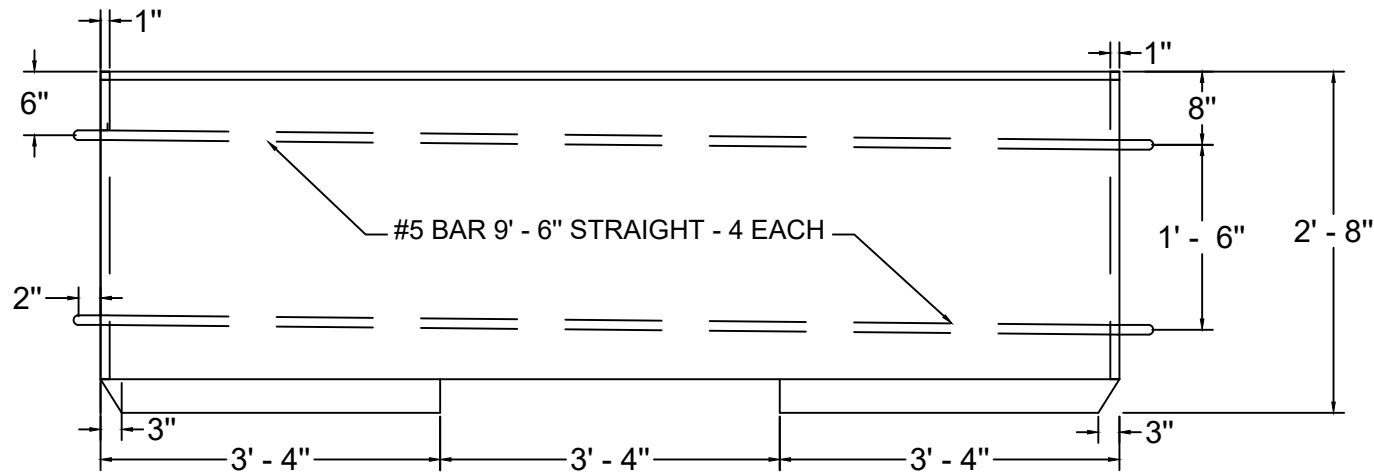
**PLAN**



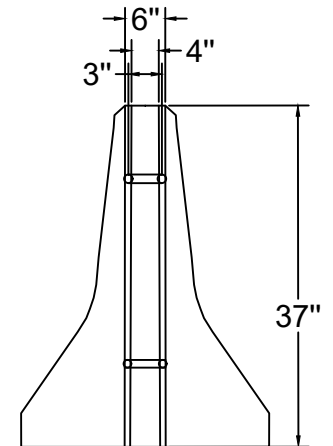
**#8 REINFORCING  
STEEL BAR  
CONNECTOR PIN**



**PART ELEVATION OF LIFT OPENING**



**ELEVATION**



**END ELEVATION**